

S-S P-10/15/20

\ **NEW** /

Squeezable **Simple Mini Bottles**



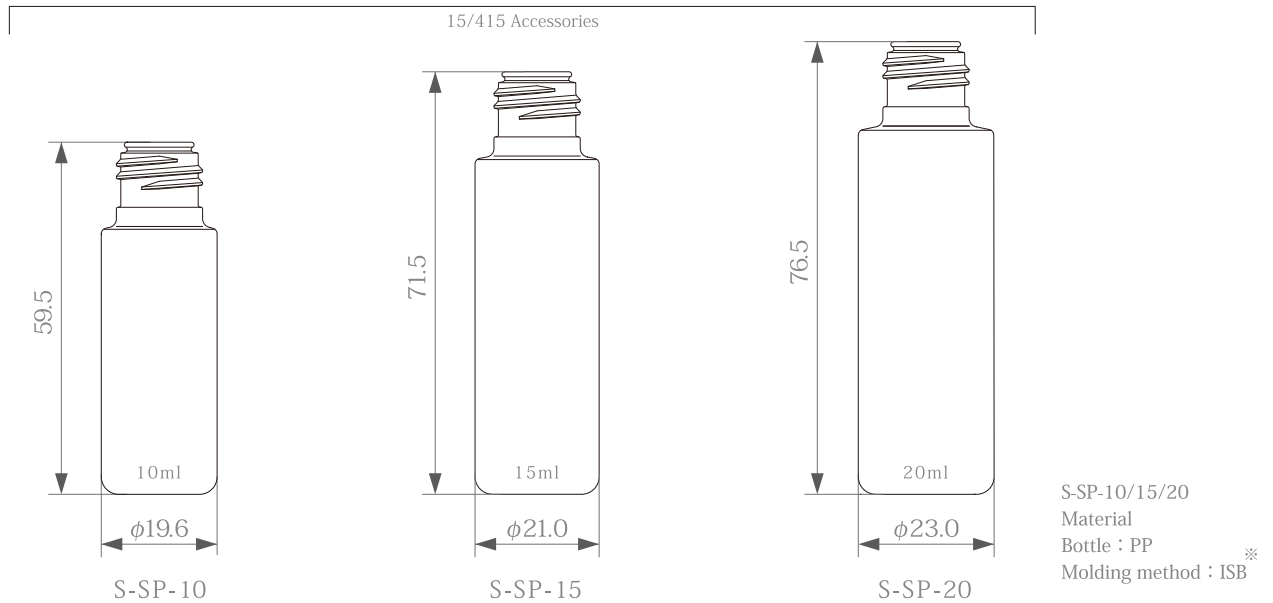
※Actual size

Simple cylindrical bottles with high transparency.
Ideal for various applications such as product samples,
travel sets and hotel amenities.

S-S P-10/15/20

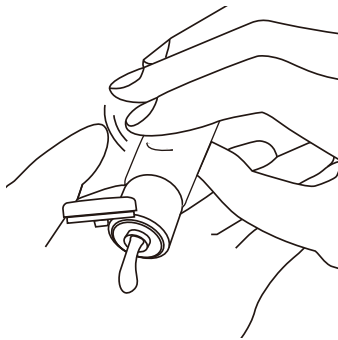
Mini PP bottles for product samples and amenities

※ Molding method: "ISB" stands for "Injection Stretch Blow"



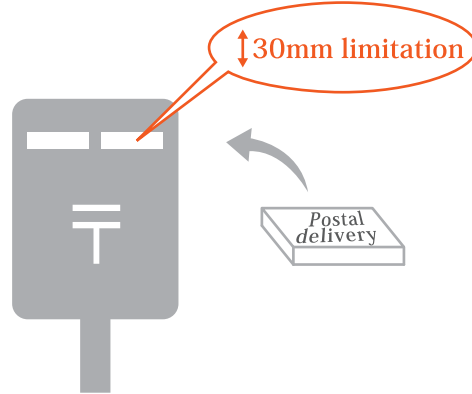
■ Squeezable

Easy to squeeze with thin wall design



■ Slim design ideal for postal delivery

Designed with consideration of the thickness of an outer cardboard box, **the maximum bottle diameter is 23mm** (20ml bottle). In contrast to flexible packaging, these bottle are self-standing and have more visual impact. The slim design also makes them convenient to carry.



15/415 Accessories (International standard neck size)

