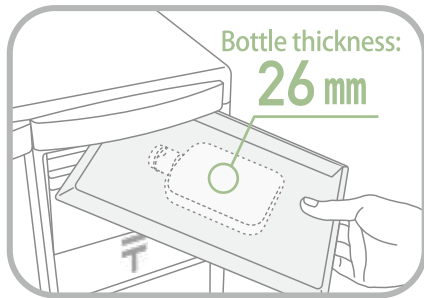
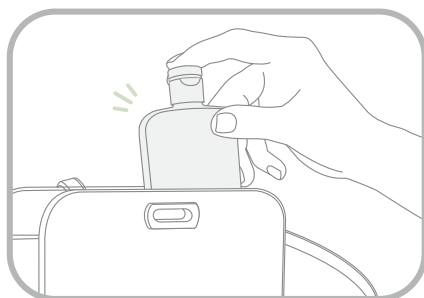


Bottles for postal delivery with a thickness of 26 mm made with environmentally friendly BIO-PE



26mm thick bottles for postal delivery

With a thickness of 26 mm, they can be posted by regular mail, helping to reduce the delivery costs of your products



Easy to take on the go

The slim design takes up little space in your bag, making them perfect for travel



New matching flip-top cap

A new simple and easy-to-open flip-top cap is also available that matches the bottle design.



※Product not available for sale in China



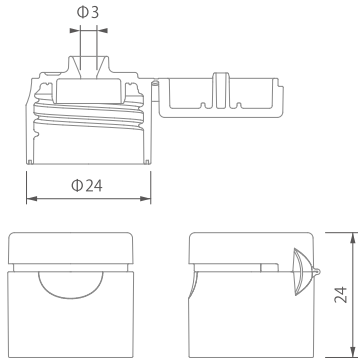
※PSH Flip-Top Cap III



※ Actual size

PPS-F Series

Bottles for postal delivery with a thickness of 26 mm or less made with environmentally friendly BIO-PE

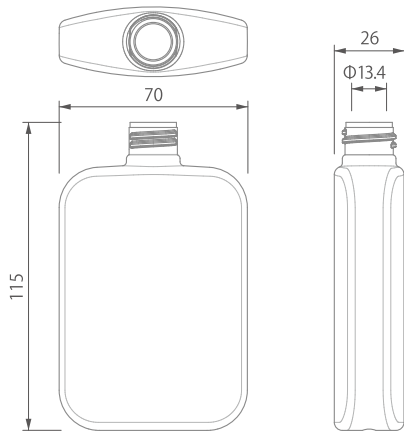


PSH Flip-Top Cap III

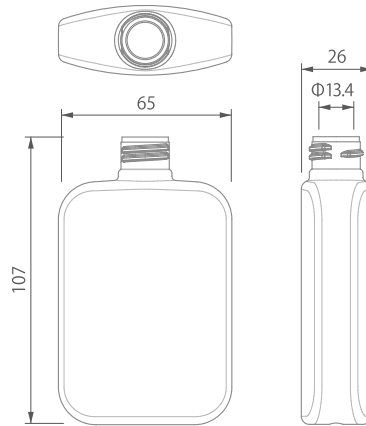
Material : PP / Neck finish : PPS (20/410)
Total height : 24mm / Width : 24mm /
Orifice diameter : 3mm

Made with environmentally friendly and sustainable BIO-PE

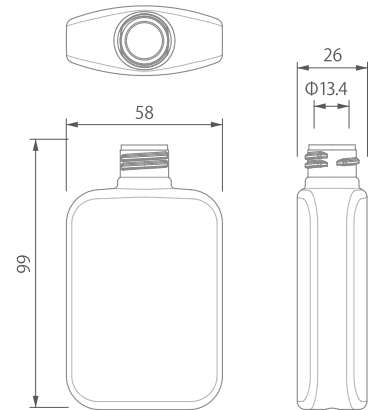
Around 26% to 28% of the plastic raw material is bio-based, made from molasses from plants (sugar cane, etc.). These biomass plastics help to reduce the amount of fossil resources used and CO2 emissions compared to petroleum-derived resins.



PPS-F120 Material : HDPE / Neck finish : PPS (20/410)
Inner neck diameter : 13.4mm /
Total height : 115mm
Width : 70mm / Thickness : 26mm



PPS-F100 Material : HDPE / Neck finish : PPS (20/410)
Inner neck diameter : 13.4mm /
Total height : 107mm
Width : 65mm / Thickness : 26mm



PPS-F80 Material : HDPE / Neck finish : PPS (20/410)
Inner neck diameter : 13.4mm /
Total height : 99mm
Width : 58mm / Thickness : 26mm

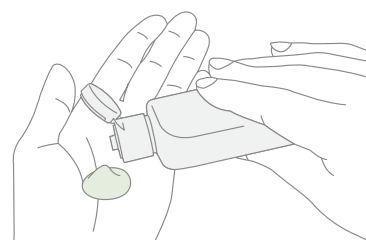
Large decoration area for easier product design

Flat bottle shape creates a larger surface area for printing, labeling etc., which allows greater freedom of expression in product design.



※ PPS-F100

Compatible with a wide variety of caps and dispensers, they are suitable for a wide range of applications.



- hand lotion
- hand cream
- toner
- travel size sanitizer gel
- shaving gel
- body cream / gel
- baby care products

Compatible caps for PPS-F series



PPS SL
Flip-Top Cap



PPSII
Flip-Top Cap



PPS-R Nozzle
Flip-Top Cap



PPS Cap
with inner ring



PPS
Screw Cap



PPS
Screw Cap II



PPS Liner-free
Screw Cap



PPS
Alm Cap



PPS-
Disc Cap



PPS-
Twist Cap